

The masterpiece of roofing tiles made in Japan.

This piece,
if you select according to the quality
Sekisyu S-shaped
roofing tile 'Gao S'.

Durable,
long-lasting,
and
beneficial

Durable,
long-lasting,
and
beautiful
forever

Durable,
long-lasting,
and
high-grade
forever



Color : Matte Brown

防災瓦王



Sekisyu S-shaped roofing tile 'Gao S'

Our roofing tiles can be used on building with a roof slope of 33% degrees.

The material is different. The hardening is different.
 The thickness is different. The skillfulness is different.
 The shape is different.
 That is why Sekisyu Roofing tiles are said to be high quality roofing tiles.



Color Choice



Points of Sekisyu Roofing Tile

Material

Our roofing tiles are fireproof and made of carefully selected, flexible clay.

Firing Temperature

Our roofing tiles are fired at a temperature higher than 1200°C(2192°F), the highest level for the ceramics. So they are durable against the heat and the cold, which maintains the roof's beauty forever.

Thickness

Its thickness, which is expressed in millimeters, creates not only the strength but also the dignified and high-grade product image.

Featuring

Our roofing tiles are designed to be durable against rain and gale.

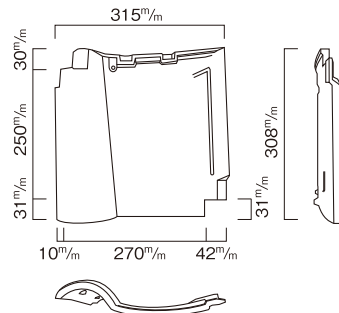
Shape

Our S style roofing tiles are European style and designed to prevent rain from entering.

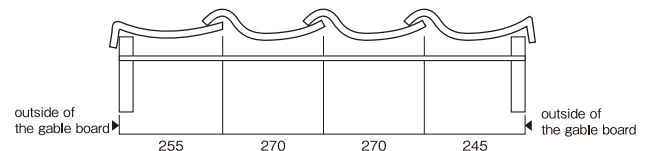
Specs. of the Product

■ Sekisyu S-shaped roofing tile 'Gao S'

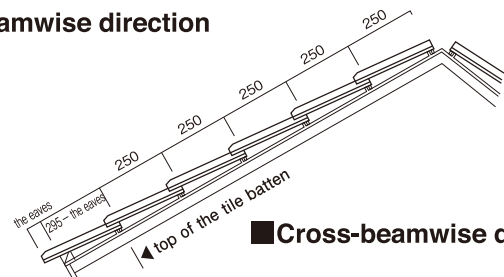
| | | |
|-----------------------------|---|--------------------|
| measure | total length: 308mm | total width: 315mm |
| functional measure | length | 250mm |
| | width | 270mm |
| the number of roofing tiles | 15.4 tiles per 1 square meter 50.8 tiles per 3.3 square meters | |
| weight | 2.85kg per 1 tile | |
| | 43.9kg per 1 square meter | |
| | 144.8kg per 3.3 square meter | |



Allocation Size of Roofing Tiles (The Size of Length is mm)



■ Beamwise direction



■ Cross-beamwise direction

■ The outline of the quality of the material

| item | test results |
|---|----------------------|
| the strength of our roofing tiles against bending destruction | stronger than 2,000N |
| water suction rate | less than 6% |
| the test result of frost damage | no trouble |