

# The masterpiece of roofing tiles made in Japan.

This piece,  
if you select according to the quality  
Sekisyu flat roofing tile 'Recera You'.

Durable,  
long-lasting,  
and  
beneficial

Durable,  
long-lasting,  
and  
beautiful  
forever

Durable,  
long-lasting,  
and  
high-grade  
forever



Color : Recera Gray



Product design by  
Teichgraber GmbH President  
Frieder M. Teichgraber

ReCeRa 福  
You

[リセラ・ユー]

Sekisyu flat roofing tile 'Recera You'

## The reason why a sekisyu roofing tile resists damage from salty breeze

- 1 I use eminent clay of high quality in japan
- 2 The burning temperature that is high temperatures more than 1,200 degrees Celsius.
- 3 Absorbing water rate equal to or less than 6%

II

Quality to be worthy of preventing from the damage of salty breezes

### Sekisyu Roofing Tile

### Other Roofing Tile A

### Other Roofing Tile B



## Color Choice

Natural Series



Persimmon Tannin Choco

Urban Series



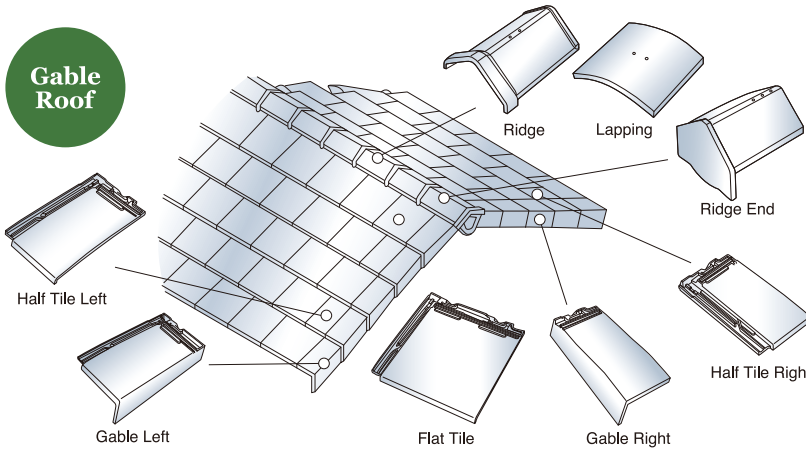
Recera Dark Silver



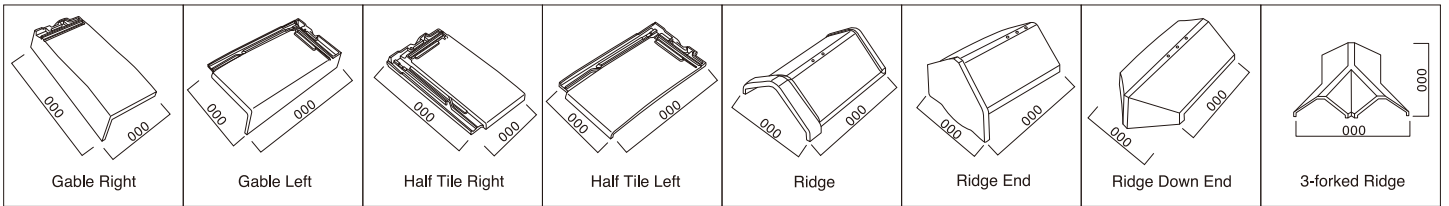
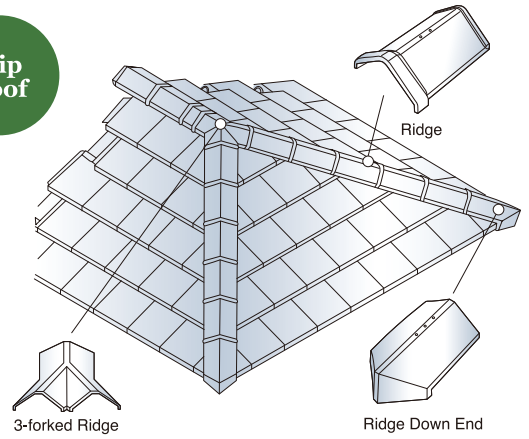
Recera Black

## A Kind and use point of Sekisyu Roofing Tile

Gable Roof



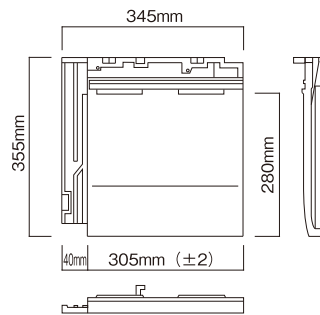
Hip Roof



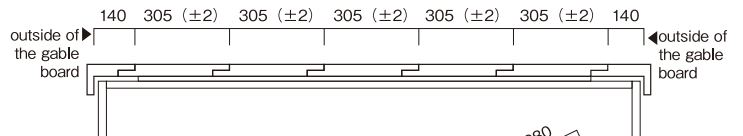
### Specs. of the Product

#### ■ Sekisyu flat roofing tile 'Recera You'

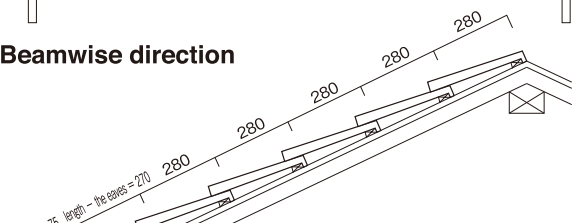
measure	total length: 355mm	total width: 345mm
functional measure	length	280mm
	width	305(±2)mm
the number of roofing tiles	11.5 tiles per 1 square meter	
	40.0 tiles per 3.3 square meters	
weight	3.95kg per 1 tile	
	45.5kg per 1 square meter	
	158.0kg per 3.3 square meter	



### Allocation Size of Roofing Tiles (The Size of Length is mm)



#### ■ Beamwise direction



#### ■ Cross-beamwise direction

#### ■ The outline of the quality of the material

item	test results
the strength of our roofing tiles against bending destruction	stronger than 1,500N
water suction rate	less than 6%
the test result of frost damage	no trouble