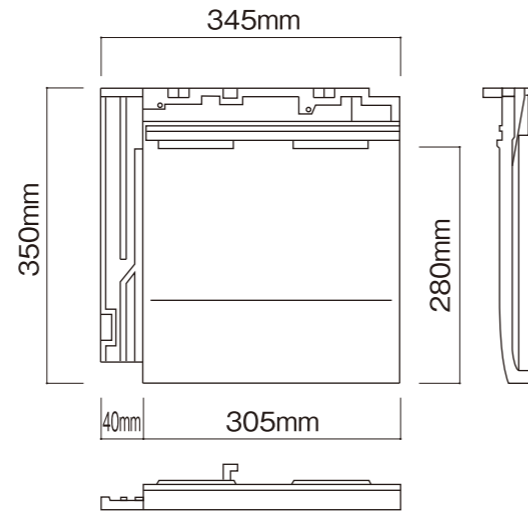
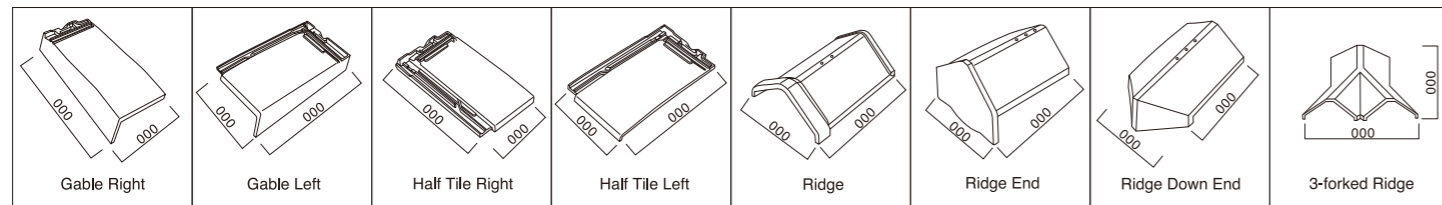
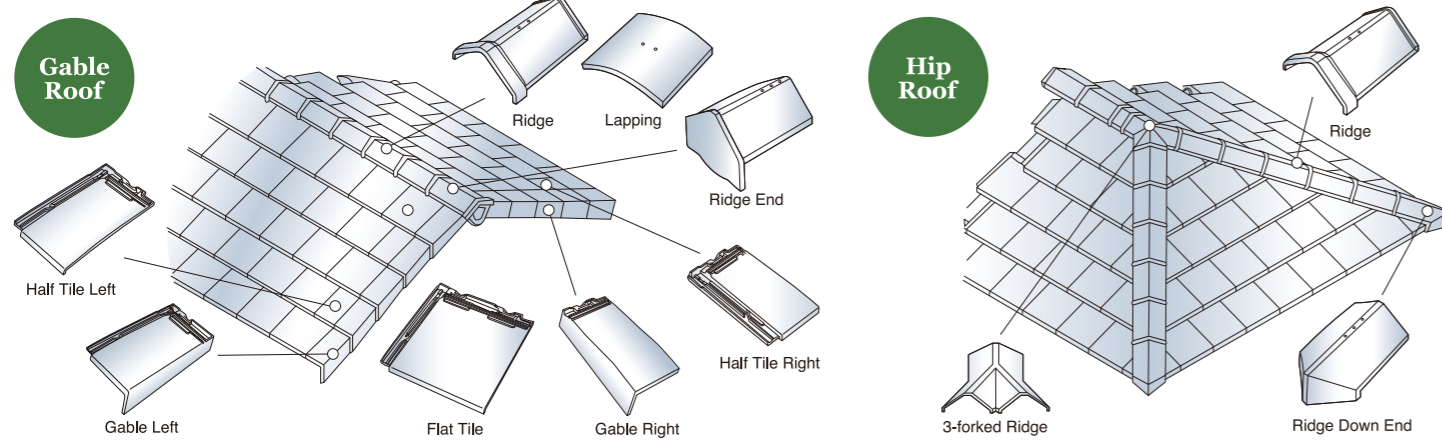


## Measurements of the product



## A Kind and use point of Sekisyu Roofing Tile



### Specs. of the Product

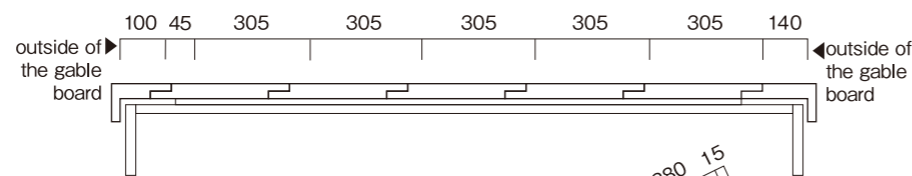
#### ■ Sekisyu flat roofing tile 'Elan'

measure	total length:350(±4)mm total width:345(±4)mm	
functional measure	length	275~280mm
	width	305~310mm
the number of roofing tiles	11.5 tiles per 1 square meter 40.0 tiles per 3.3 square meters	
weight	3.65kg per 1 tile	
	42.0kg per 1 square meter	
	146kg per 3.3 square meter	

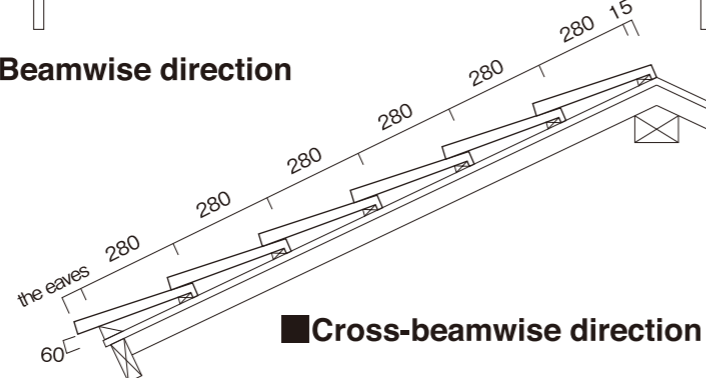
#### ■ The outline of the quality of the material

item	test results
the strength of our roofing tiles against bending destruction	stronger than 1,500N
water suction rate	less than 6%
the test result of frost damage	no trouble

### Allocation Size of Roofing Tiles (The Size of Length is mm)



#### ■ Beamwise direction



#### ■ Cross-beamwise direction

# The masterpiece of roofing tiles made in Japan.

This piece,  
if you select according to the quality  
Sekisyu flat roofing tile 'Elan'.



平成15年全国地場産大賞  
奨励賞 受賞



Product design by  
Teichgraber GmbH President  
Frieder M. Teichgraber

【無釉窯変F形瓦】

# Elan

【エラン】

Kimura's The Surface Tile.

Sekisyu flat roofing tile 'Elan'

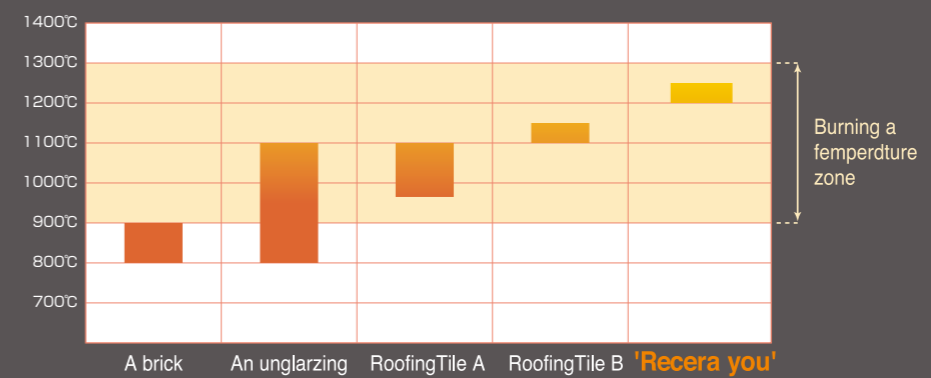




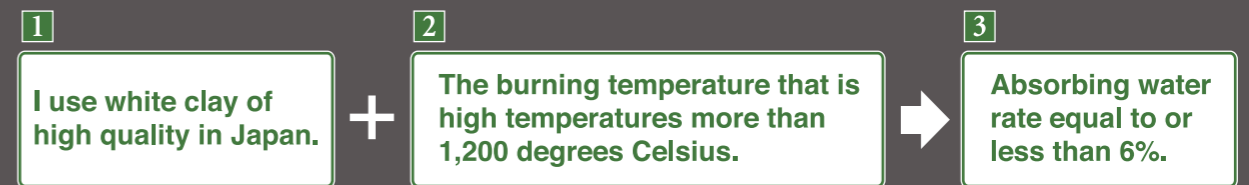
Building photograph



### Burning temperature comparison



### Sekisyu Roofing Tile resists salt damage



Quality to be worthy of salt damage.

